



PALINOX®

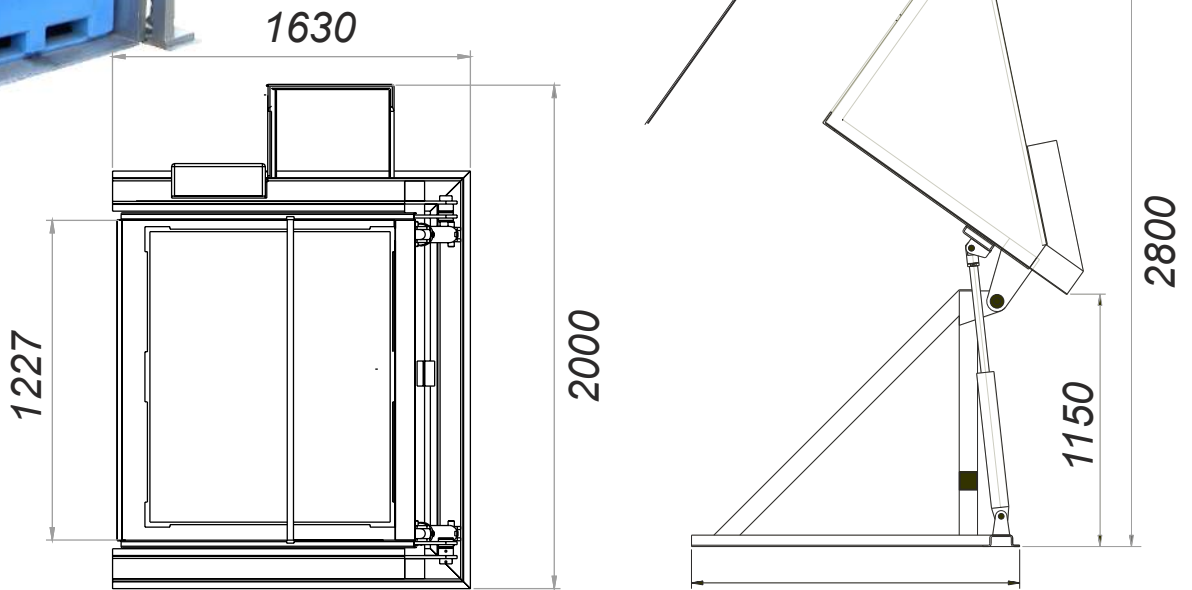
HYDRAULIC BINS LIFTER WITH REAR ENTRANCE

VO-TR

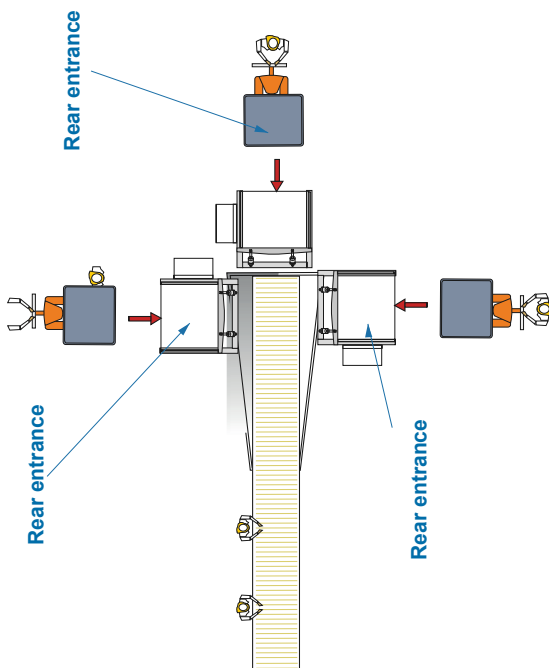
hydraulic bins lifter with rear loading. Robust and totally manufactured in stainless steel.

It incorporates a hydraulic power pack and two stainless steel pistons in its entirety, allowing a long and durable racking.

It is equipped with all safety measures and is easy to maintain.



Standard dimensions, others upon request



modelo	VO-1000-TR
TECHNICAL CHARACTERISTICS	
Robust stainless steel construction	304 L
Stainless steel piston x 2	Yes
Built-in hydraulic power plant (3Kw)	Yes
Maximum lifting load 1500 (Anchored to ground)	1.500
Unladen weight of equipment	400
Connection 380V (III+N+PE) 60Hz	Yes
Moisture protection (IP65)	Yes
Sound and light signal to warn of actuation	Yes
Closed stainless steel tank	Yes
Speed control and up and down control	Yes
Rubber sleeves	Yes
Lift control	Yes
Ground anchoring	Yes

(*) Dimensions and power ratings are generic and subject to change based on real needs.



Pol. Ind. Riu Ripoll Sud
Riu Ripoll, 28 - 08202 Sabadell, Barcelona.



Tel +34 937 80 00 03
E-mail: info@palinox.com



Tel +34 607 490 591
E-mail: recambios@palinox.com