



# PALINOX®

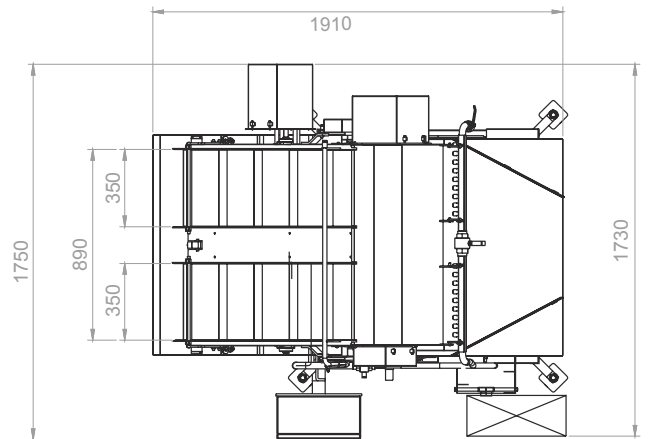
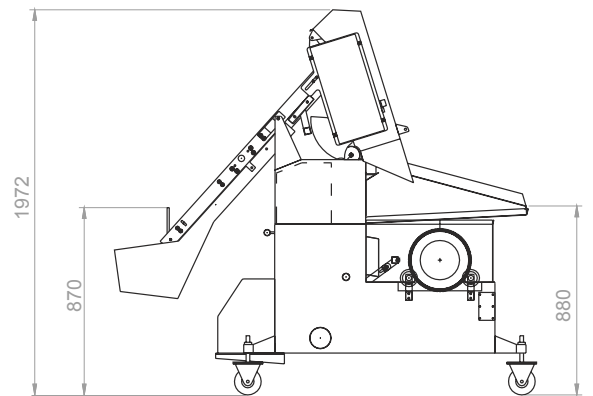
CUTTLEFISH AND SQUID PEELER

## P-1000-AUTO



Our automatic cuttlefish and squid peeler P-1000-AUTO is a high performance standard equipment.

It is a cuttlefish and squid peeling machine ILLEX designed to be part of a continuous line. In order to obtain the maximum profitability it is essential to incorporate a food hopper, which can reach peak productions of 1.000 Kg/hour and for squids without fins of 900-1.000 Kg/hour.



model	P-1000- AUTO
<b>TECHNICAL CHARACTERISTICS</b>	
AISI 304 stainless steel construction	Oui
Connection 380V (III+N+PE) 50Hz (60Hz on request)	Oui
Protection against humidity (IP-65)	Oui
Water inlet	Oui
Hardened roller for treatments	Oui
Minimized water consumption	Oui
Limited risk of accident to be automatic	Oui
High production	Oui
Versatile for cuttlefish and squid ILLEX	Oui
Variable roller speed	Oui
Fast load conveyor speed	Oui
Rotating filter for skin separation	Oui
Filter self-cleaning	Oui
Removable filter without tools for daily cleaning	Oui
Easy access for cleaning	Oui
Minimum maintenance	Oui
Ideal for online work	Oui
Movement thanks to stainless steel wheels.	Oui
Afficheur de vitesse de travail	Oui
Display of working speed	Oui
Feed conveyor: Modular S. 20. Blue polyethylene	Oui

model	P-1000- AUTO
<b>POWER AND DIMENSIONS</b>	
Puissance total (Kw)	4
Dimensions des lames (mm)	410x22x0,7
Poids maximum (Kg)	540
Poids minimum/ maximum de produit (kg)	0.3 / 1.5

(\* ) The dimensions and powers are generic and can be modified according to the real needs.



Pol. Ind. Riu Ripoll Sud  
Riu Ripoll, 28 - 08202 Sabadell, Barcelona.



Teléfono +34 937 80 00 03  
E-mail: info@palinox.com



Teléfono +34 607 490 591  
E-mail: recambios@palinox.com